

>>Datasheet<<



The whole machine Specifications

Table-1

Technical Information	
Processor	AMD® G-Series Supports: T16R 615MHz Single Core 4.5W T40E 1.0GHz Dual Core 6W T48E 1.4GHz Dual Core 18W T56N 1.65GHz Dual Core 18W
Memory	2GB on board DDR 1066MHz
Graphics	DVI and VGA output on DVI-I connector
Ethernet	1x RJ45 10/100/1000 Mb/s Ethernet
SATA	1x mSATA or 1x Smartboard (1x mSATA / NGFF ; mPCIe,8x GPIOs; 3G/4G)
USB	4x USB 2.0
Serial Ports	4x RS232 (3wire)
Audio	ALC662 HD Audio sound(Line-out)
Power Supply Adapter	+9V~+21V DC, Recommend +12V DC, always on (default) ,trigger (option)
Temperature	12V,5A, Plug anti loose
Dimensions	Operating -20°C to +75°C, -40°C to +75°C (option)
	130mm(L)x88.5mm(W)x47mm(H) (Box size except Wall hanging bracket & Output interfaces)
	385mm(L)x270mm(W)x110mm(H)(Packing)
Cooling	Passive
Operating systems	WINXP,XPE,Win7, WES7, Linux
Weight	0.58kg(bare machine), 1.66kg(Including packing)
Color	The whole machine is black, silk print is white

Output interfaces:

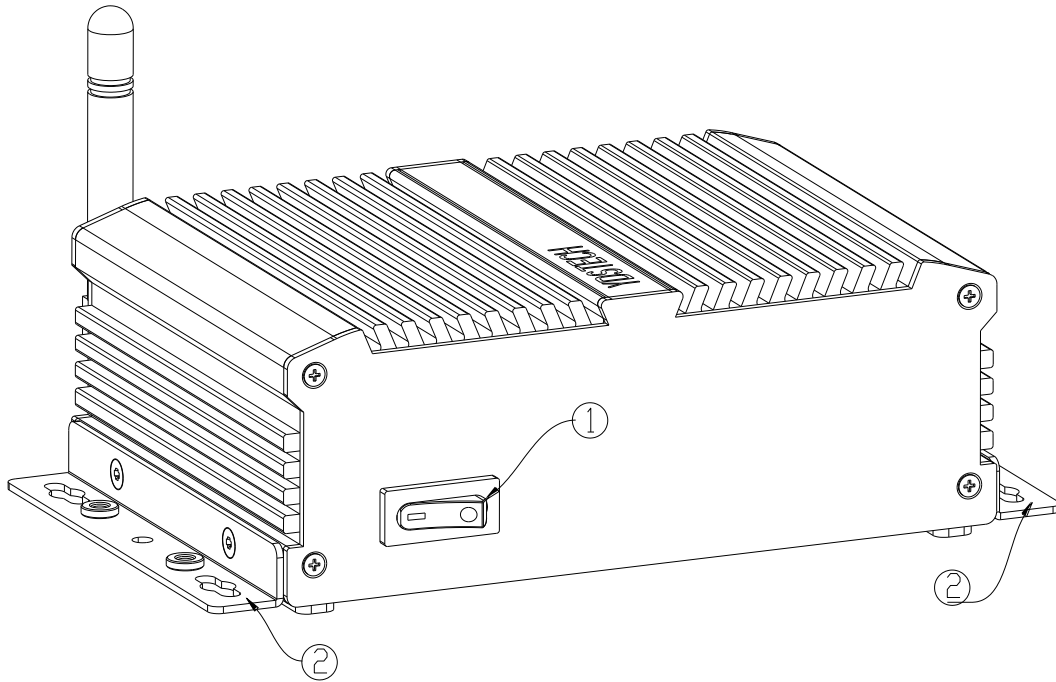


Figure 1: Front panel

- ① Power: Trigger button
- ② Wall hanging bracketx2

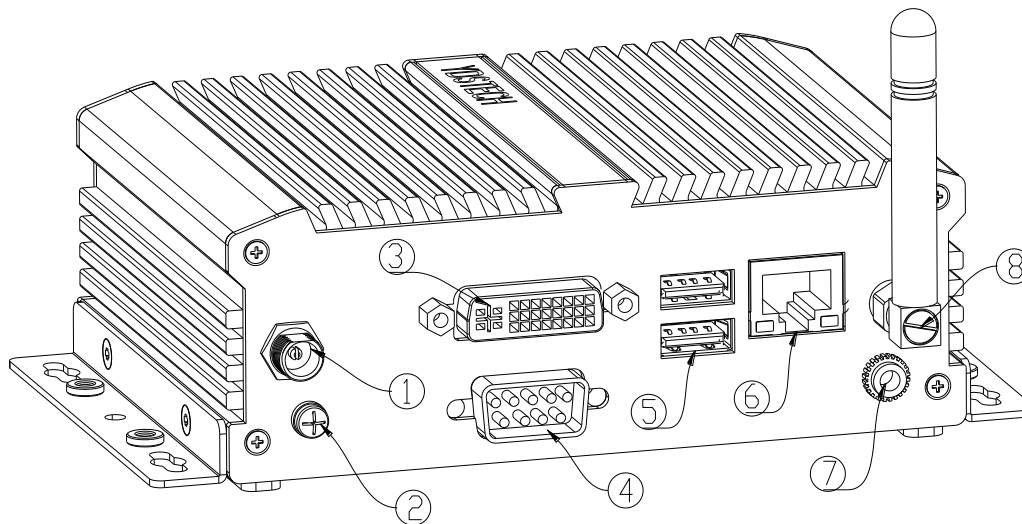


Figure 2: Back panel

- ① DC-in: DC-in
- ② ESD: Grounding screw for ESD
- ③ DVI: 1x DVI-I
- ④ COM: COM1-4(3wires)
- ⑤ USB2.0: 2x USB 2.0 extend 4x USB2.0 (By Extended cable)
- ⑥ RJ45: 1x RJ45
- ⑦ Audio: Line-out
- ⑧ Antenna: External antenna

Ordering Information

Table-2

Ordering Information	
Article	Description
YCS-T251-A10-X	APU Fanless IPC
YCS-T251W-A10-X	APU Fanless IPC Temperature:-40°C to +75°C
Remark:	
X-CPU model, CPU:T16R,T40E,T48E,T56N	